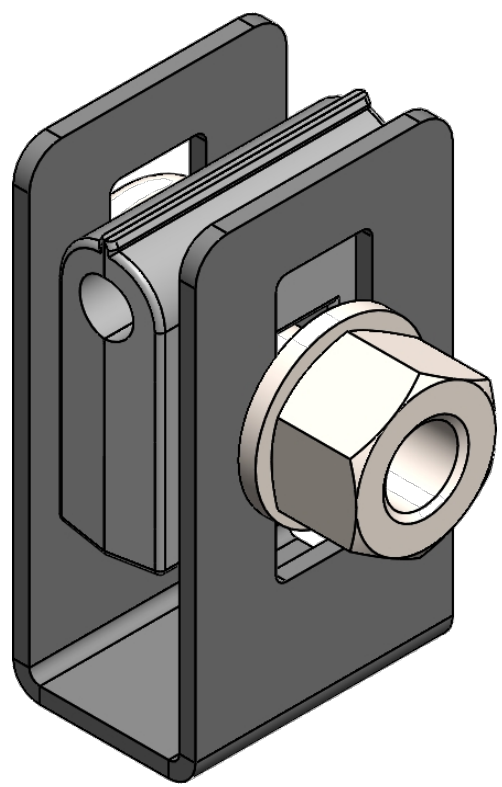


Grid booklets available



- $\varnothing 3$
- $\varnothing 4$
- $\varnothing 5$
- $\varnothing 6$

Available colours (powder coating)

- Anthracite
- Black
- Brown
- Green
- White galvanised



COPYING PROHIBITED

| | | | | | | |
|----------------------------------------------------------------------------------------------------------------------------------------------------------------------|--------------------------------------------------------------------------------------------------------------------------------|------------|---------------------------------|-------------|----------------|-----------|
|  <small>All rights reserved</small> <small>Printout may be unsealed</small> |  <small>Printout may be unsealed</small> | Standard: | A4 format | Scale 2:1 | Sheet 1/1 | |
| | Material | Booklet | DX51 - Z270 PP | Weight [kg] | Heat treatment | Principal |
| | Constructed by | | Name of drawing | | | |
| | Drawn | 03.02.2025 | Narrow universal bracket | | | |
| | Checked | 04.02.2025 | Name or assembly/equipment | | Drawing no. | |
| Issued | 04.02.2025 | | | | | |