

4

3

2

1

F

F

Lock screw M8x25

Washer M8

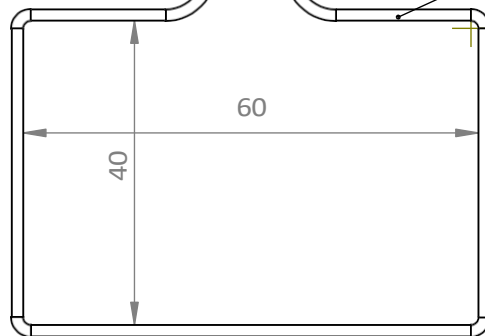
Hexagon nut M8

Booklet

Clamp

E

E



D

D

### Grid booklets available

- $\varnothing 3$
- $\varnothing 4$
- $\varnothing 5$
- $\varnothing 6$

C

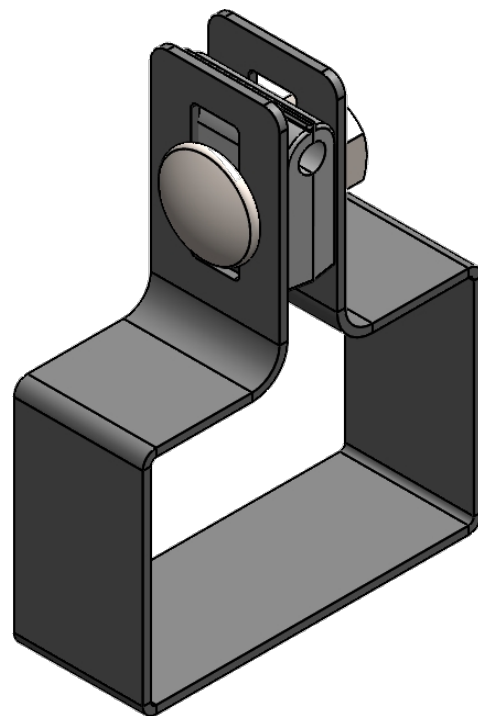
C

### Available colours (powder coating)

- Anthracite
- Black
- Brown
- Green
- White galvanised

B


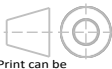
B



**COPYING PROHIBITED**

A

A

 <small>Constructor</small>	<small>All rights reserved</small> <small>All right reserved</small>	 <small>Print can be unscalled</small>	Standard:	A4 format	Scale 1:1	Sheet 1/1
			Material Bracket Booklet	DX51 - Z270 PP	Weight [kg]	Heat treatment
Drawing	03.02.2025	Drawing name <b>60x40 end post clamp</b>				
Checked	04.02.2025	Name of the assembly/appliance 04.02.2025				Drawing no.
Issued	3		2			1

4

1